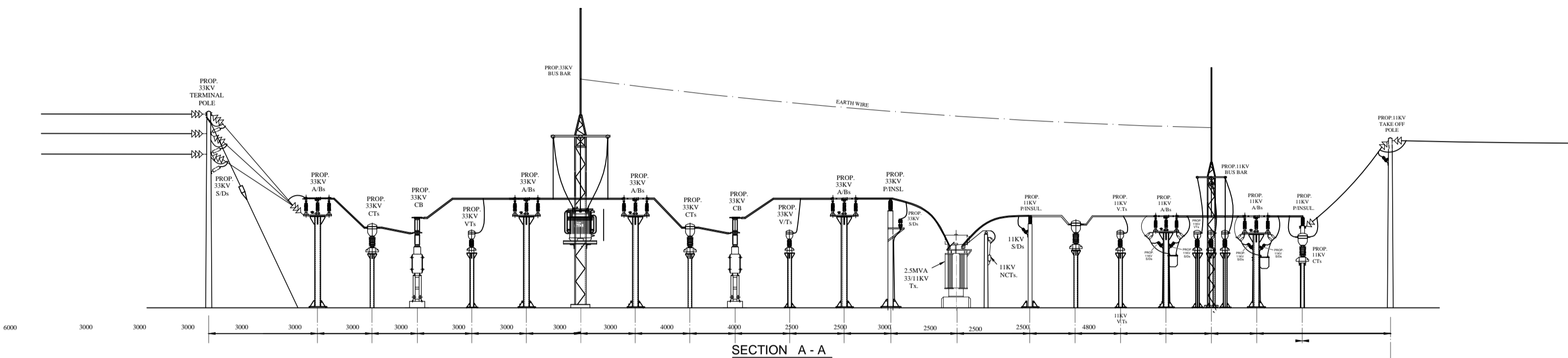
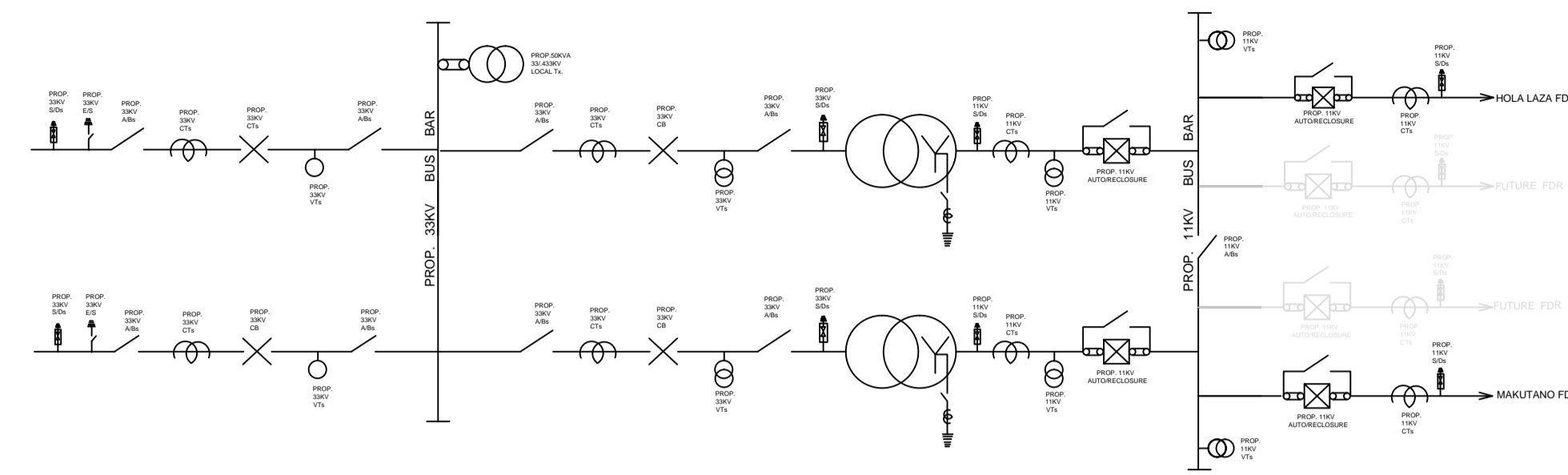


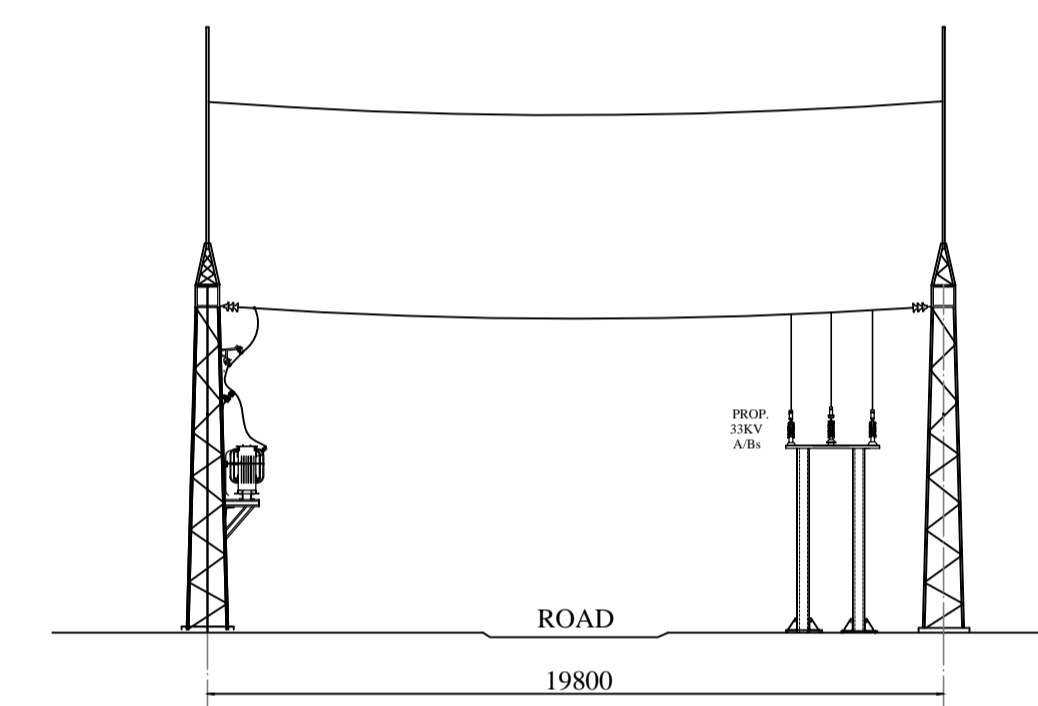
SECTION B - B



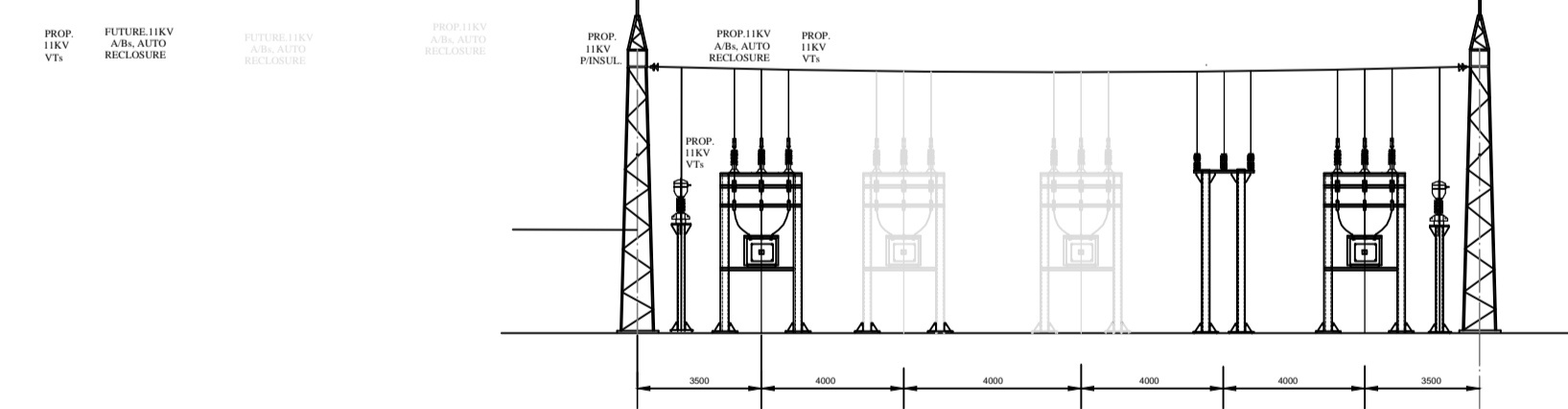
SECTION A - A



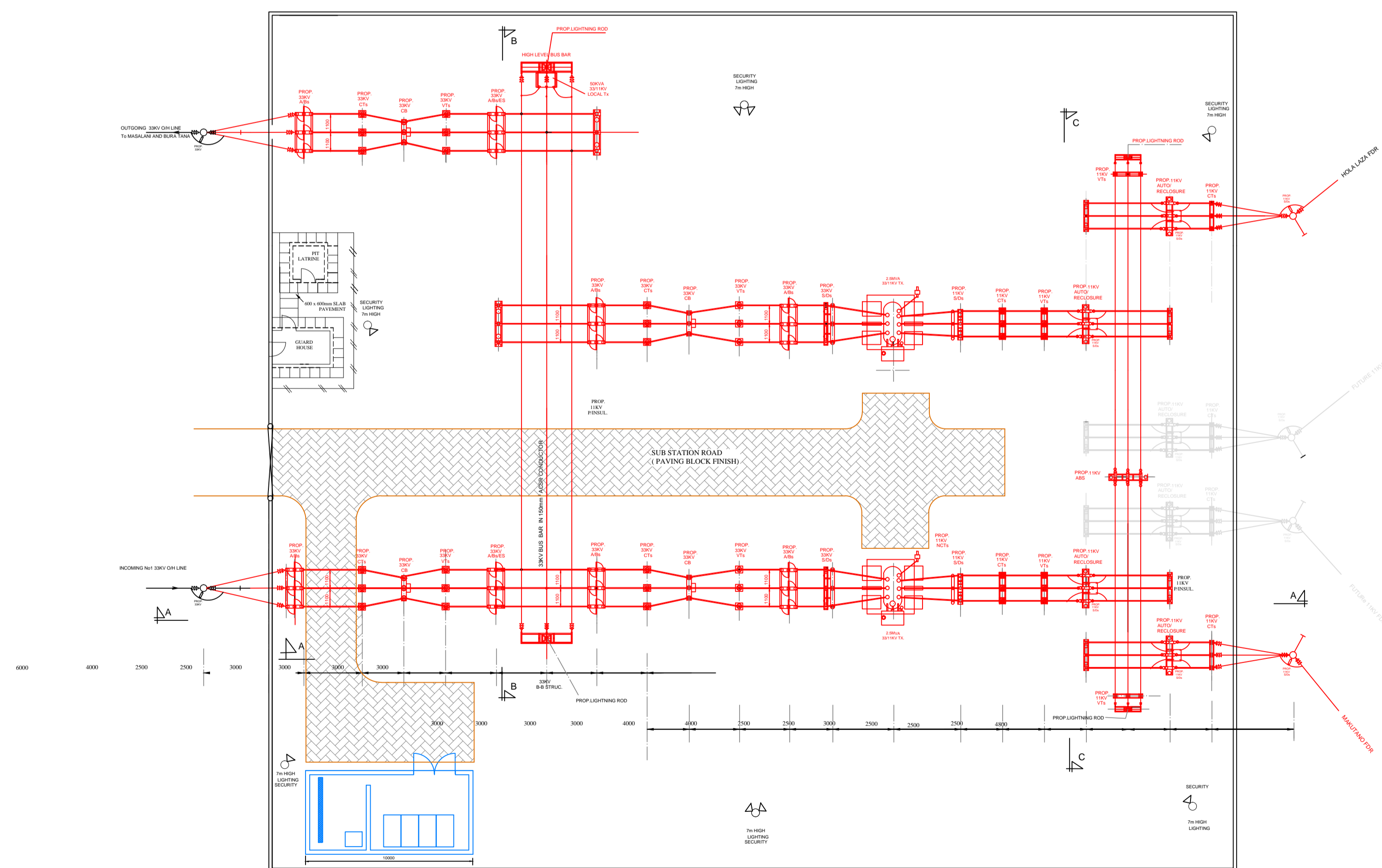
CONNECTION DIAGRAM



SECTION D - D



SECTION C - C



PROPOSED HOLA 2 X 2.5MVA

33/11KV SUB-STATION